

HOME SWIMMING POOL SAFETY CHECKLIST

This checklist does not substitute for a pool inspection and is for educational purposes only. Pool owners should consider getting a professional assessment of their pool's compliance.

PLEASE CONTACT COUNCIL PRIOR TO ANY UPGRADES TO THE SWIMMING POOL BARRIER

Adult supervision, in combination with compliant pool safety fencing, is the most effective method of preventing a child from drowning.

Please check, fix and maintain your pool and safety barrier on a regular basis.

Pool barrier requirements apply to spa pools indoor, outdoor, in ground, aboveground and other portable pools capable of being filled with water to a depth of 300mm or more.

SWIMMING POOL FENCE

❖ **Must be secure and in good working order**

❖ **Must be at least 1.2m high**

Is there a pool fence or other child-resistant barrier separating the pool from your house and adjoining properties and public spaces at all times?	<input type="checkbox"/> Yes	<input type="checkbox"/> No – Install compliant pool fencing.
Is the outside of the pool fence at least 1200mm high all the way around when measured from ground level?	<input type="checkbox"/> Yes	<input type="checkbox"/> No – Remove vegetation from around the fence line or raise the pool fence until there is a continual height of at least 1200mm achieved.
If a boundary fence forms part of the pool barrier, and your pool was built after 1 September 2008, is the boundary fence at least 1800mm high?	<input type="checkbox"/> Yes	<input type="checkbox"/> No – Install 1.8m high fencing to those sections of the boundary fence that form part of the pool safety barrier.
Is the gap between the bottom of the fence and the ground less than 100mm?	<input type="checkbox"/> Yes	<input type="checkbox"/> No – Reduce the gap by either attaching additional material to the bottom of the fence or concreting rocks, bricks etc. into the ground beneath the fence.
Are all vertical rails on the fence less than 100mm apart?	<input type="checkbox"/> Yes	<input type="checkbox"/> No – Either reposition the vertical rails or install additional rails so that gaps between the rails are no greater than 100mm.
If you have a timber pool fence and the vertical rails are greater than 10mm apart, is there a distance of at least 900mm between the top and bottom horizontal rails?	<input type="checkbox"/> Yes	<input type="checkbox"/> No – Reposition horizontal rails ensuring the minimum measurement is 900mm apart or install additional vertical members to reduce the gap.
Is the distance between any potential handholds and footholds on the pool fence and its associated space at least 900mm apart to inhibit a young child from climbing over it?	<input type="checkbox"/> Yes	<input type="checkbox"/> No – Either remove the potential handholds and footholds or shield them using any durable non-climbable material, such as acrylic or polycarbonate sheeting or aviary wire that has holes no greater than 13mm.

Is your pool fence built on level ground, without any steps in the fence panels?

Yes

No – Is there a distance of 900mm between the bottom horizontal rail of the top (upper) fence panel and the top horizontal rail of the stepped (lower) fence panel?

If not either:

- a) raise the lower fence panel until a clear distance of 900mm is achieved when measured from the bottom horizontal rail of the upper fence panel and the top horizontal rail of the lower fence panel and ensure any gaps created beneath the fence are no greater than 100mm. **OR**
- b) Install a shield, on the outside of the lower fence panel, to the junction where the stepped fence panels meet. The shield needs to extend a height and distance until there is a clear 900mm between horizontal surfaces.

Please see diagram 1 below to assist with explanation.

If the wall of the house forms part of the barrier, is the wall without windows, doors or other openings through which a young child could gain access at any time?

Yes

No – Depending on when your pool was installed, windows and doors of the dwelling could be located within the pool enclosure provided that certain safety measures are in place.

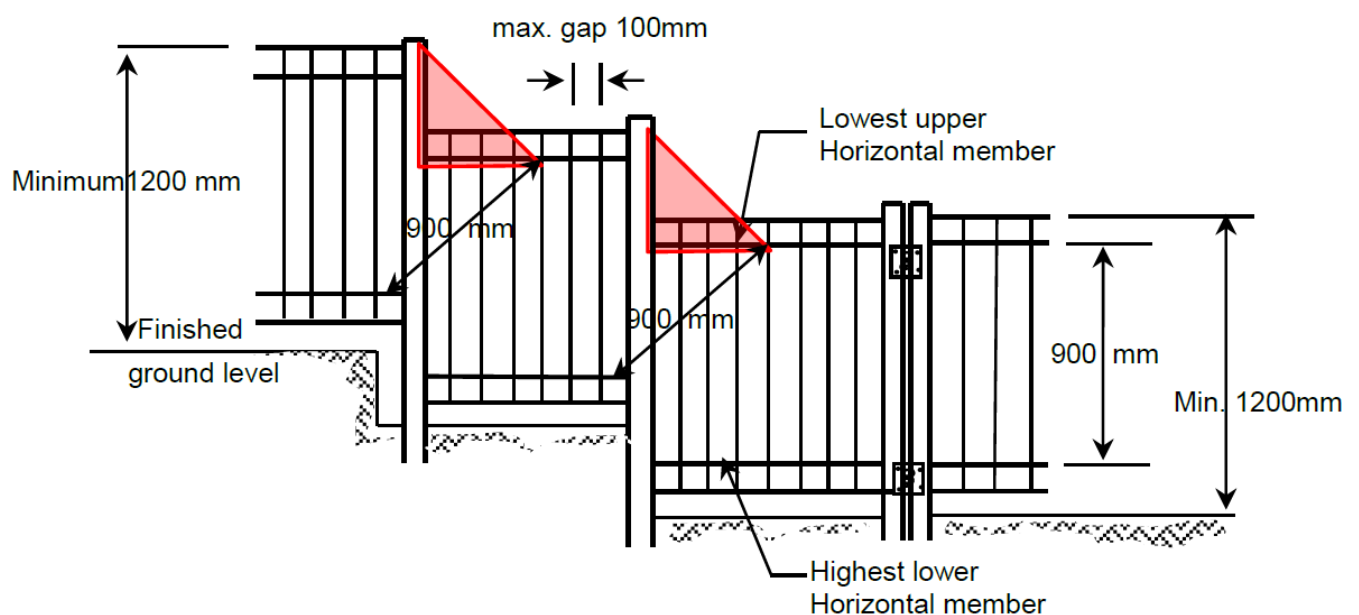
Are windows restricted to open a maximum of 100mm by a device that can only be removed by the use of a tool, e.g., a screwdriver or spanner?
OR

Is the openable portion of the window covered by a mesh screen that complies with the test for strength and rigidity (not a standard fly screen) and that is fixed to the building with fasteners that can only be removed by the use of a tool?

Are the doors fitted with a self closing and self latching device that will activate immediately after use and will return the door to the closed and latched position without the use of a manual force? The self closing device must be capable of operating and activating the latching device when the door is at any position, from resting on the latching mechanism to fully open.

		<input type="checkbox"/> Is the release for the latching device at least 1500mm above floor level? <input type="checkbox"/> Do you ensure that any footholds wider than 10mm on the door, on its frame or within close proximity to the door, for a height of 1000mm above the floor, are removed? <input type="checkbox"/> Pet doors must not provide access into a pool enclosure.
Is your pool fence well maintained and in a good state of repair (e.g. no broken or loose panels or rails)?	<input type="checkbox"/> Yes	<input type="checkbox"/> No – Secure loose fence panels and rails and replace any broken sections.
If you have a balcony that projects into the pool area, that is less than 1800mm when measured from the floor of the balcony to the finished ground level of the pool area, or is located within 900mm of the top of the pool safety barrier, does the balustrade consist of compliant pool fencing that is a minimum 1.2m high?	<input type="checkbox"/> Yes	<input type="checkbox"/> No – Install fencing that complies with the requirements of AS 1926.1-2012 Part 1—Safety barriers for swimming pools.
If using perforated or mesh fencing, are the holes 13mm or less?	<input type="checkbox"/> Yes	<input type="checkbox"/> No – Either replace the existing mesh, or attach additional mesh to the existing mesh, with a type that has holes no greater than 13mm. The additional mesh must be attached to the outside of the pool fence.

Example of shields that can be installed where stepped fencing does not provide a continuous 900mm between horizontal rails



SWIMMING POOL GATE

❖ Must open away from the pool

❖ Must be self closing and self latching

<p>Does the gate automatically swing back to the closed position after being opened from any distance (does not need a manual force to close it)?:</p> <ul style="list-style-type: none"> ◆ From resting on the latching mechanism ◆ From close range to the latching mechanism ◆ From half way through the arc of operation ◆ From fully open 	<input type="checkbox"/> Yes <input type="checkbox"/> Yes <input type="checkbox"/> Yes <input type="checkbox"/> Yes	<input type="checkbox"/> No – Adjust or replace hinges or install an additional spring, ensuring it is not located within 900mm of the bottom of the pool gate.
<p>Is the gate latch working well so that the gate is secure and, once closed, can't be pulled open?</p>	<input type="checkbox"/> Yes	<input type="checkbox"/> No—Fix or replace latching mechanism
<p>Is the gate secure and doesn't open if a child bounces on the bottom rail of the gate?</p>	<input type="checkbox"/> Yes	<input type="checkbox"/> No—Fix or replace latching mechanism
<p>Does the gate swing freely and open away from the pool area?</p>	<input type="checkbox"/> Yes	<input type="checkbox"/> No – Re-hang the gate so that it swings away from the pool area. Clear and level the ground surface around the pool gate to allow a clear arc of operation.
<p>Is the gate release mechanism 1500mm above effective ground level or, if located inside the gate, positioned 150mm below the top of the gate and covered by an approved shield?</p>	<input type="checkbox"/> Yes	<input type="checkbox"/> No – Relocate the release mechanism so that it is a minimum 1500mm above effective ground level or, if installed inside the pool gate, install an approved shield so that the latch cannot be accessed.
<p>If you have an old style loop and plate latching mechanism, on the inside of the pool gate, is the gap between the gate and the fence less than 10mm?</p>	<input type="checkbox"/> Yes	<input type="checkbox"/> No – Reduce the gap by attaching additional material to either the edge of the pool gate or the edge of the fence panel beside it.
<p>Is the gap between ground level and the bottom of the gate less than 100mm?</p>	<input type="checkbox"/> Yes	<input type="checkbox"/> No – Reduce the gap by attaching additional material to the bottom horizontal rail of the gate or permanently installing pavers, rocks or the like beneath the gate until a maximum gap of 100mm is achieved.
<p>Are you aware that it is dangerous and against the law to prop the gate open?</p>	<input type="checkbox"/> Yes	<input type="checkbox"/> No – NEVER prop the pool gate

AROUND THE POOL FENCE

<p>Have trees or shrubs been trimmed of any branches or forks within 900mm of any horizontal rail of the pool fence so that children can't use them to climb the fence?</p>	<input type="checkbox"/> Yes	<input type="checkbox"/> No—Trim or remove any branches, trees or shrubs that could provide a climbing aid into the pool area.
<p>Are toys always removed from the pool and stored securely after use?</p>	<input type="checkbox"/> Yes	<input type="checkbox"/> No—Remove toys from pool area when not in use..

Do you have a clear 300mm on the inside and 900mm or 1200mm on the outside of your pool fence between any potential climbable object such as BBQs, pot plants, rocks, outdoor furniture and the like.	<input type="checkbox"/> Yes	<input type="checkbox"/> No—Relocate any items so that there is a clear 300mm on the inside and 900mm or 1200mm on the outside of the pool fence (depending on age of pool)
Is there a current pool warning / CPR (resuscitation) sign displayed in a prominent position within the pool area that can be easily read and contains the following warnings: (i) "YOUNG CHILDREN SHOULD BE SUPERVISED WHEN USING THIS SWIMMING POOL" (ii) "POOL GATES MUST BE KEPT CLOSED AT ALL TIMES" (iii) "KEEP ARTICLES, OBJECTS AND STRUCTURES AT LEAST 900 MILLIMETRES CLEAR OF THE POOL FENCE AT ALL TIMES'.	<input type="checkbox"/> Yes	<input type="checkbox"/> No—Buy and install a current warning / CPR (resuscitation) sign that includes all the required warning notices. Signs can be purchased from Council's Katoomba and Springwood offices, pool supply outlets, hardware stores and online retailers.

SWIM SPAS/PLUNGE POOLS

Is your swim spa/plunge pool surrounded by complying swimming pool fencing	<input type="checkbox"/> Yes	<input type="checkbox"/> No—Install complying fencing
Have you obtained development consent from Council for the installation of swim spa/plunge pool	<input type="checkbox"/> Yes	<input type="checkbox"/> No—Contact Council
Is there a current resuscitation sign displayed in a prominent position within the pool area that can be easily read and contains the warnings listed above?	<input type="checkbox"/> Yes	<input type="checkbox"/> No — Buy and install a pool warning / CPR (resuscitation) sign that includes all

SPAS

Is there a current resuscitation sign displayed in a prominent position within the pool area that can be easily read and contains the warnings listed above?	<input type="checkbox"/> Yes	<input type="checkbox"/> No — Buy and install a pool warning / CPR (resuscitation) sign that includes all the required warning notices.
Is your spa pool, when not in use, covered and secured by a lockable child-safe structure? Or Has complying swimming pool fencing? <i>Go through checklist.</i>	<input type="checkbox"/> Yes	<input type="checkbox"/> No — Obtain a lockable child-safe structure (such as a door, lid, grille or mesh) that is of a substantial construction and which has no openings greater than 100mm when in the locked position.



Important Notes:

- ⇒ **This checklist is to be used as a guide only.**
- ⇒ **For further advice on ensuring your pool is fully compliant with the legislation please contact Council.**
- ⇒ **There is no substitute for constant adult supervision of children in and around swimming pools to prevent drownings and other accidents.**



Blue Mountains City Council
Locked Bag 1005
2 Civic Place
KATOOMBA NSW 2780

Telephone: (02) 4780 5000
Email: council@bmcc.nsw.gov.au
Website: www.bmcc.nsw.gov.au